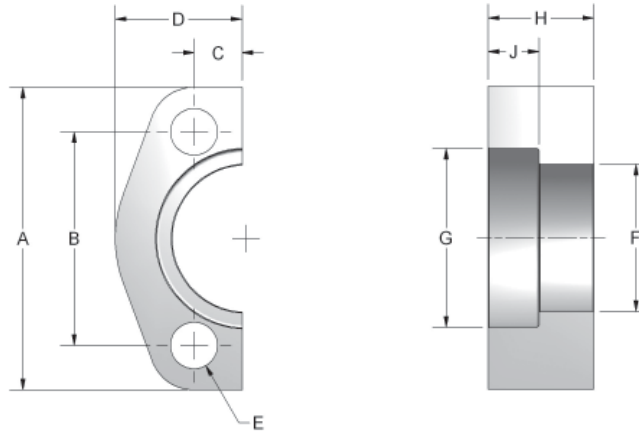




**Fits Caterpillar Flange Head ends only.**



PTX SERIES SPLIT FLANGES												
PART NO.	**KIT PART NO.	FLANGE SIZE	A	B	C	D	E	F	G	H	J	MOUNTING HARDWARE
												HHCS
12PTX-2	12PTXO	.75	2.950	2.000	.446	1.210	.406	1.270	1.632	1.102	.530	3/8-16X1.75
16PTX-2	16PTXO	1.00	3.190	2.250	.507	1.335	.469	1.550	1.884	1.102	.530	7/16-14X1.75
20PTX-2	20PTXO	1.25	3.750	2.625	.585	1.490	.531	1.705	2.134	1.102	.530	1/2-13X2.00
24PTX-2	24PTXO	1.50	4.440	3.125	.679	1.335	.656	2.080	2.509	1.258	.530	5/8-11X2.50
32PTX-2	32PTXO	2.00	5.240	3.812	.834	2.205	.827	2.640	3.130	1.457	.530	3/4-10X2.75

\*\*When ordering this part # you will receive: (2) split flange halves, (4) hex head bolts and lockwashers. **NO O-RING INCLUDED.**

FLOW, NEEDLE & CHECK VALVES

HYDRAULIC BALL VALVES

WELD COUPLINGS

FLANGES