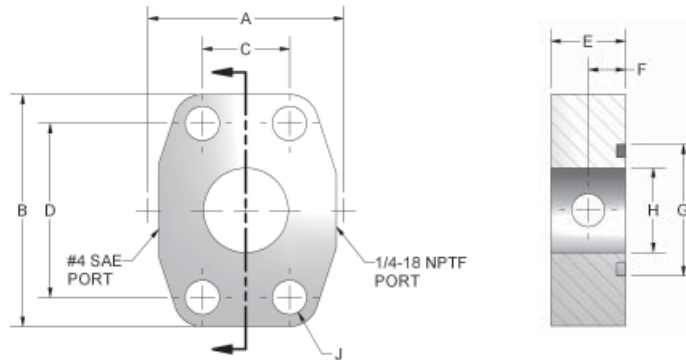
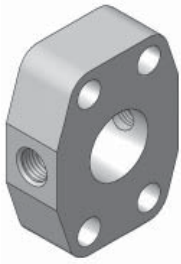


Gage Port Spacer



CODE 61 GAGE PORT O-RING SPACER										
PART NO.	PAD SIZE	A	B	C	D	E	F	G	H	J
AS-8-GP	.50	1.82	2.16	.688	1.500	1.25	.62	1.000	.502	.344
AS-12-GP	.75	2.06	2.69	.875	1.875	1.25	.62	1.250	.752	.406
AS-16-GP	1.00	2.31	2.75	1.031	2.062	.88	.44	1.560	1.002	.406
AS-20-GP	1.25	2.87	3.12	1.188	2.312	.94	.47	1.750	1.252	.469
AS-24-GP	1.50	3.25	3.68	1.406	2.750	1.19	.59	2.115	1.502	.531
AS-32-GP	2.00	3.81	4.00	1.688	3.062	1.38	.69	2.490	2.002	.531
AS-40-GP	2.50	4.28	4.50	2.000	3.500	1.75	.88	2.995	2.502	.531
AS-48-GP	3.00	5.15	5.31	2.438	4.188	2.12	1.06	3.615	3.002	.656

CODE 62 GAGE PORT O-RING SPACER										
PART NO.	PAD SIZE	A	B	C	D	E	F	G	H	J
ASX-8-GP	.50	1.94	2.30	.718	1.594	1.25	.62	1.000	.502	.344
ASX-12-GP	.75	2.50	2.95	.937	2.000	1.25	.62	1.250	.752	.406
ASX-16-GP	1.00	2.75	3.19	1.093	2.250	1.50	.75	1.560	1.002	.492
ASX-20-GP	1.25	3.06	3.75	1.250	2.625	1.50	.75	1.750	1.252	.531
ASX-24-GP	1.50	3.75	4.44	1.437	3.125	1.75	.88	2.115	1.502	.656
ASX-32-GP	2.00	4.50	5.25	1.750	3.812	1.75	.88	2.490	2.002	.781
ASX-40-GP	2.50	5.87	6.87	2.312	4.875	2.06	1.03	2.995	2.502	.906
ASX-48-GP	3.00	7.00	8.50	2.812	6.000	2.62	1.31	3.615	3.002	1.156

FLOW, NEEDLE & CHECK VALVES

HYDRAULIC BALL VALVES

WELD COUPLINGS

FLANGES