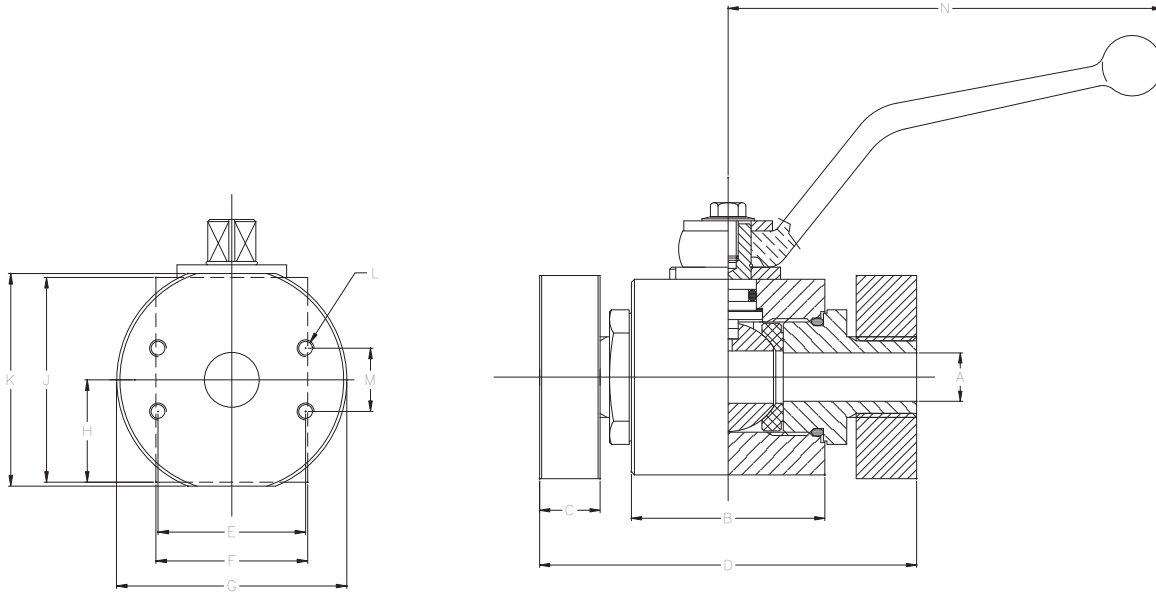


AEF Series / Two-Way Block Body Flat Face



- Carbon steel construction with Silver Trivalent plating
- 316 stainless steel available from stock
- POM seats & Buna O-rings standard on carbon steel valves
- Optional seal materials available for extreme temperature applications & fluid compatibility (Consult Factory)



Standard handles supplied are:
Refer to page 47 for details.

#8
#12 - #16

C1010ZB
C1200ZB

FLOW, NEEDLE & CHECK VALVES

HYDRAULIC BALL VALVES

WELD COUPLINGS

FLANGES

AEF SERIES - CODE 61

SERIES	PSI MAX	A BORE	B	C	D	E	F		G	H	J		K	L	M	N	WEIGHT
							CARBON	STAINLESS			CARBON	STAINLESS					
AEF3#8	5000	.51	1.89	.87	4.72	1.50	1.46	1.77	2.20	.71	1.69	1.77	1.89	5/16-18	.69	4.31	4.6 LBS
AEF3#12	5000	.79	2.49	.91	5.35	1.87	1.77	2.17	2.83	.91	2.17	2.17	2.36	3/8-16	.87	7.00	6.6 LBS
AEF3#16	5000	.98	2.60	1.06	5.83	2.06	2.17	2.56	3.19	1.14	2.56	2.56	2.76	3/8-16	1.03	7.00	7.6 LBS

AEF SERIES - CODE 62

SERIES	PSI MAX	A BORE	B	C	D	E	F		G	H	J		K	L	M	N	WEIGHT
							CARBON	STAINLESS			CARBON	STAINLESS					
AEF6#8	6000	.51	1.89	.87	4.72	1.59	1.46	1.77	2.20	.71	1.69	1.77	1.89	5/16-18	.72	4.31	4.6 LBS
AEF6#12	6000	.79	2.49	.91	5.35	2.00	1.77	2.17	2.83	.91	2.17	2.17	2.36	3/8-16	.94	7.00	6.6 LBS
AEF6#16	5000	.98	2.60	1.06	5.83	2.25	2.17	2.56	3.19	1.14	2.56	2.56	2.76	7/16-14	1.09	7.00	7.6 LBS



AEF Series / Two-Way Block Body Flat Face

Model Code Breakdown

AEF3 #16 - 1 1 D B

Valve Series

AEF3	Code 61
AEF6	Code 62

Connection Size

Body & Adapter Material

1	Carbon Steel
2	316 Stainless Steel

Ball & Stem Material

1	Carbon Steel
2	316 Stainless Steel

Locking Kit or Optional Handle Code

(See pages 42 & 43)

Adapter & Stem Seals

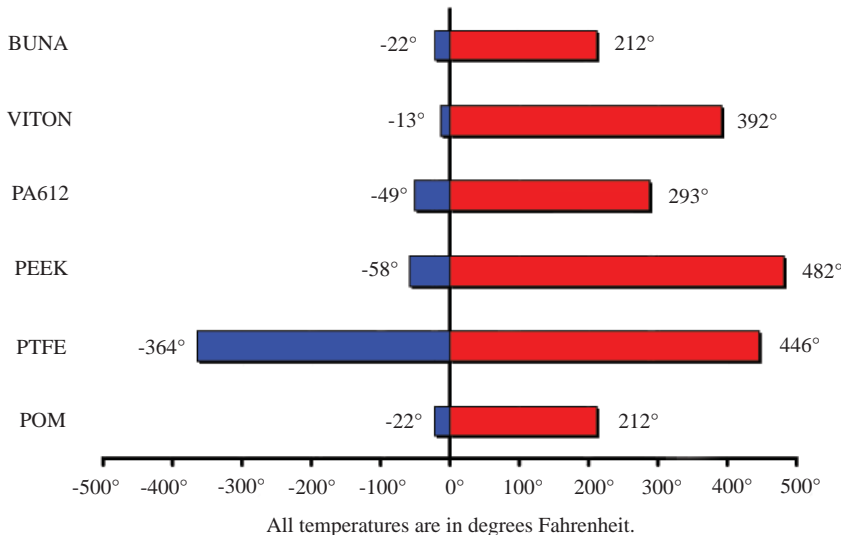
B	Buna- Standard
V	Viton (Std on S/S)

Ball & Stem Seats

D	POM- Standard
P	PEEK
N	PA612
X	PTFE w/metallic insert

- Please consult your system's seal manufacturer for recommendation of seal selection, as Anchor Fluid Power does not accept responsibility for seal selection.

MAXIMUM & MINIMUM WORKING TEMPERATURES FOR SEAL MATERIALS



FLOW, NEEDLE & CHECK VALVES

HYDRAULIC BALL VALVES

WELD COUPLINGS

FLANGES