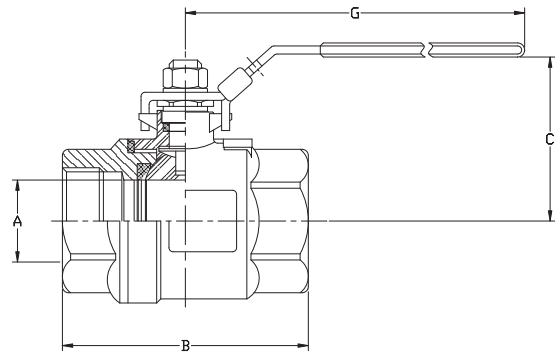
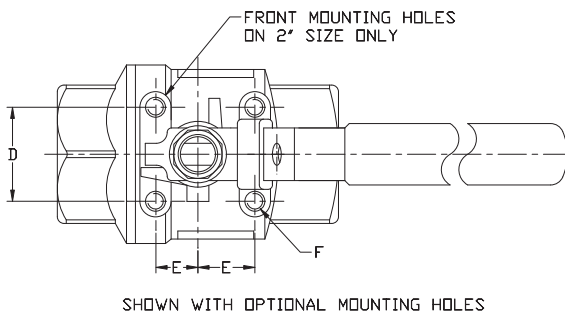


- All stainless steel construction
- Locking handles standard
- Mounting holes optional on all sizes
- Ideal for suction, pressure and return lines
- Available in NPT & SAE threads



Model Code:

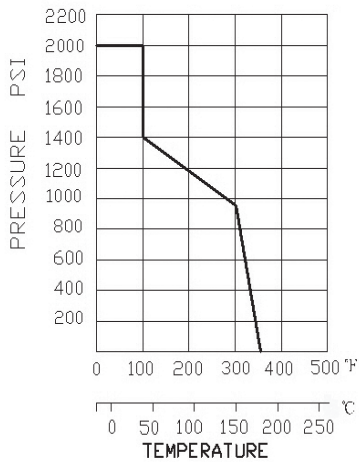
MV2B **N** **1/2"** -2T **-MH**

Thread type (**N**-NPT; **S**-SAE)

Thread size (Ex. **N1/2"**; **S#8**)

Optional Mounting Holes

PRESSURE-TEMPERATURE RATING



COMPONENT MATERIALS		
COMPONENT	MATERIAL	
VALVE BODY	ASTM A351 GR CF8M	1
TAILPIECE	ASTM A351 GR CF8M	1
BALL	ASTM A351 GR CF8M	1
STEM	316	1
BALL SEAT	PTFE	2
STEM SEAT	PTFE	1
STEM PACKING	PTFE	1
STEM GLAND	304	1
HANDLE	304	1
STEM LOCK WASHER	304	1
STEM NUT	304	1
HANDLE SLEEVE	VINYL	1
LOCK	304	1

MV2B SERIES - NPT							
SIZE	A	B	C	D	E	F UNC	G
1/4"	.36	2.13	2.13	1.12	.49	10-24	4.33
3/8"	.50	2.13	2.17	1.12	.49	10-24	4.33
1/2"	.59	2.24	2.28	1.12	.49	10-24	4.53
3/4"	.79	2.76	2.40	1.12	.49	10-24	4.53
1"	.98	3.25	3.03	1.38	.91	1/4-20	5.04
1-1/4"	1.26	3.58	3.19	1.48	1.00	1/4-20	5.04
1-1/2"	1.50	4.06	3.54	1.48	1.00	1/4-20	6.10
2"	1.97	4.90	4.25	1.50	1.00	1/4-20	6.10

MV2B SERIES - SAE							
SIZE	A	B	C	D	E	F UNC	G
1/4"	.35	2.40	2.13	1.12	.49	10-24	4.33
3/8"	.47	2.40	2.17	1.12	.49	10-24	4.33
1/2"	.59	2.52	2.28	1.12	.49	10-24	4.53
3/4"	.79	3.23	2.40	1.12	.49	10-24	4.53
1"	.98	3.62	3.03	1.38	.91	1/4-20	5.04
1-1/4"	1.26	3.96	3.19	1.48	1.00	1/4-20	5.04
1-1/2"	1.50	4.23	3.54	1.48	1.00	1/4-20	6.10
2"	1.97	4.90	4.25	1.50	1.00	1/4-20	6.10