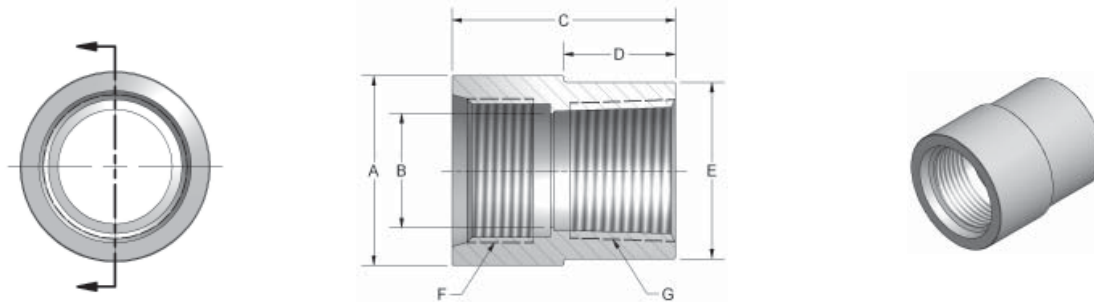


SAE TO SAE FULL COUPLING					
CARBON STEEL PART NO.	STAINLESS STEEL PART NO.	A	B	C	D SAE UN-2B
830-6	830-6-SS	1.00	.508	1.25	*9/16-18
830-8	830-8-SS	1.25	.689	1.63	*3/4-16
830-10	830-10-SS	1.38	.806	1.50	*7/8-14
830-12	830-12-SS	1.50	.981	2.06	1 1/16-12
830-14	830-14-SS	1.63	1.106	2.00	1 3/16-12
830-16	830-16-SS	1.75	1.231	2.06	1 5/16-12
830-20	830-20-SS	2.25	1.544	2.06	1 5/8-12
830-24	830-24-SS	2.75	1.794	2.20	1 7/8-12
830-32	830-32-SS	3.25	2.419	2.50	2 1/2-12

- AISI1020 CARBON STEEL
- 316L STAINLESS STEEL
- INCLUDES INDIVIDUAL THREAD IDENTIFICATION MARKING
- ADDITIONAL THREAD SIZES AND CONFIGURATIONS AVAILABLE

*UNF-2B



SAE TO NPTF FULL COUPLING								
CARBON STEEL PART NO.	STAINLESS STEEL PART NO.	A	B	C	D	E	F SAE UN-2B	G NPTF
825-4	825-4-SS	1.00	.389	1.27	.64	.875	*7/16-20	1/4-18
825-6	825-6-SS	1.13	.508	1.50	.75	1.000	*9/16-18	3/8-18
825-8	825-8-SS	1.25	.650	1.63	.82	1.125	*3/4-16	1/2-14
825-10-12	825-10-12-SS	1.50	.806	1.75	.88	1.375	*7/8-14	3/4-14
825-12	825-12-SS	1.50	.850	2.06	1.03	1.375	1 1/16-12	3/4-14
825-14-16	825-14-16-SS	1.75	1.050	2.15	1.08	1.625	1 3/16-12	1-11.5
825-16	825-16-SS	1.75	1.050	2.06	1.03	1.625	1 5/16-12	1-11.5
825-20	825-20-SS	2.25	1.420	2.06	1.03	2.125	1 5/8-12	1 1/4-11.5
825-24	825-24-SS	2.75	1.650	2.20	1.10	2.500	1 7/8-12	1 1/2-11.5
825-32	825-32-SS	3.25	2.125	2.50	1.25	3.000	2 1/2-12	2-11.5

*UNF-2B

- AISI1020 CARBON STEEL
- 316L STAINLESS STEEL
- INCLUDES INDIVIDUAL THREAD IDENTIFICATION MARKING
- ADDITIONAL THREAD SIZES AND CONFIGURATIONS AVAILABLE

FLOW, NEEDLE & CHECK VALVES

HYDRAULIC BALL VALVES

WELD COUPLINGS

FLANGES