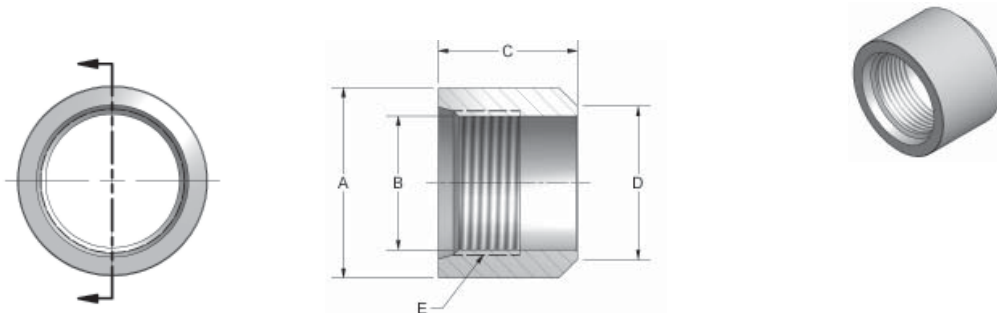


| SAE HALF COUPLING     |                          |      |       |      |      |       |             |
|-----------------------|--------------------------|------|-------|------|------|-------|-------------|
| CARBON STEEL PART NO. | STAINLESS STEEL PART NO. | A    | B     | C    | D    | E     | F SAE UN-2B |
| 835-4                 | 835-4-SS                 | .88  | .389  | 1.00 | .250 | .750  | *7/16-20    |
| 835-6                 | 835-6-SS                 | 1.00 | .508  | 1.00 | .250 | .875  | *9/16-18    |
| 835-8                 | 835-8-SS                 | 1.25 | .689  | 1.06 | .250 | 1.125 | *3/4-16     |
| 835-10                | 835-10-SS                | 1.38 | .806  | 1.06 | .250 | 1.250 | *7/8-14     |
| 835-12                | 835-12-SS                | 1.50 | .981  | 1.28 | .250 | 1.375 | 1 1/16-12   |
| 835-14                | 835-14-SS                | 1.63 | 1.106 | 1.25 | .250 | 1.500 | 1 3/16-12   |
| 835-16                | 835-16-SS                | 1.75 | 1.231 | 1.28 | .250 | 1.625 | 1 5/16-12   |
| 835-20                | 835-20-SS                | 2.25 | 1.544 | 1.28 | .250 | 2.125 | 1 5/8-12    |
| 835-24                | 835-24-SS                | 2.75 | 1.794 | 1.28 | .250 | 2.500 | 1 7/8-12    |
| 835-32                | 835-32-SS                | 3.25 | 2.419 | 1.50 | .250 | 3.000 | 2 1/2-12    |

- AISI1020 CARBON STEEL
- 316L STAINLESS STEEL
- INCLUDES INDIVIDUAL THREAD IDENTIFICATION MARKING
- ADDITIONAL THREAD SIZES AND CONFIGURATIONS AVAILABLE

\*UNF-2B



| SAE HALF COUPLING BEVEL |                          |      |       |      |       |             |
|-------------------------|--------------------------|------|-------|------|-------|-------------|
| CARBON STEEL PART NO.   | STAINLESS STEEL PART NO. | A    | B     | C    | D     | E SAE UN-2B |
| 835B-4                  | 835B-4-SS                | .88  | .389  | 1.00 | .570  | *7/16-20    |
| 835B-6                  | 835B-6-SS                | 1.00 | .508  | 1.00 | .690  | *9/16-18    |
| 835B-8                  | 835B-8-SS                | 1.25 | .689  | 1.06 | .870  | *3/4-16     |
| 835B-10                 | 835B-10-SS               | 1.38 | .806  | 1.06 | .990  | *7/8-14     |
| 835B-12                 | 835B-12-SS               | 1.50 | .981  | 1.28 | 1.160 | 1 1/16-12   |
| 835B-14                 | 835B-14-SS               | 1.63 | 1.106 | 1.25 | 1.290 | 1 3/16-12   |
| 835B-16                 | 835B-16-SS               | 1.75 | 1.231 | 1.28 | 1.410 | 1 5/16-12   |
| 835B-20                 | 835B-20-SS               | 2.25 | 1.544 | 1.28 | 1.720 | 1 5/8-12    |
| 835B-24                 | 835B-24-SS               | 2.75 | 1.794 | 1.28 | 1.980 | 1 7/8-12    |
| 835B-32                 | 835B-32-SS               | 3.25 | 2.419 | 1.50 | 2.600 | 2 1/2-12    |

- AISI1020 CARBON STEEL
- 316L STAINLESS STEEL
- INCLUDES INDIVIDUAL THREAD IDENTIFICATION MARKING
- ADDITIONAL THREAD SIZES AND CONFIGURATIONS AVAILABLE

\*UNF-2B

FLOW, NEEDLE & CHECK VALVES

HYDRAULIC BALL VALVES

WELD COUPLINGS

FLANGES