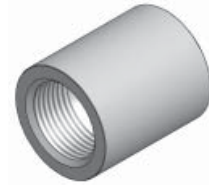
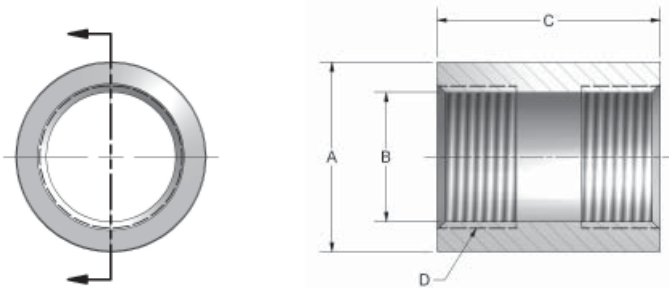


BSPP Full Couplings



BSPP TO BSPP FULL COUPLING					
CARBON STEEL PART NO.	STAINLESS STEEL PART NO.	A	B	C	D BSPP
850-4	850-4-SS	.88	.451	1.25	1/4-19
850-6	850-6-SS	1.00	.589	1.25	3/8-19
850-8	850-8-SS	1.25	.734	1.63	1/2-14
850-12	850-12-SS	1.50	.950	2.06	3/4-14
850-16	850-16-SS	1.75	1.193	2.06	1-11
850-20	850-20-SS	2.25	1.534	2.06	1 1/4-11
850-24	850-24-SS	2.75	1.766	2.20	1 1/2-11
850-32	850-32-SS	3.25	2.231	2.50	2-11

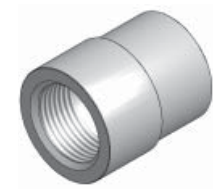
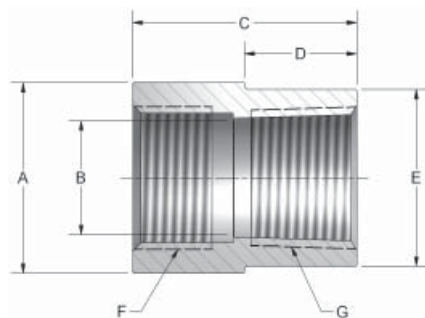
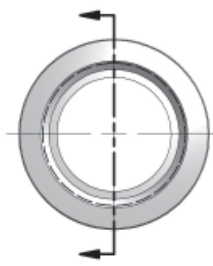
- AISI1020 CARBON STEEL
- 316L STAINLESS STEEL
- INCLUDES INDIVIDUAL THREAD IDENTIFICATION MARKING
- ADDITIONAL THREAD SIZES AND CONFIGURATIONS AVAILABLE

FLOW, NEEDLE & CHECK VALVES

HYDRAULIC BALL VALVES

WELD COUPLINGS

FLANGES



BSPP TO NPTF FULL COUPLING								
CARBON STEEL PART NO.	STAINLESS STEEL PART NO.	A	B	C	D	E	F BSPP	G NPTF
860-4	860-4-SS	1.00	.400	1.27	.64	.875	1/4-19	1/4-18
860-6	860-6-SS	1.13	.507	1.50	.75	1.000	3/8-19	3/8-18
860-8	860-8-SS	1.25	.650	1.63	.82	1.125	1/2-14	1/2-14
860-12	860-12-SS	1.50	.850	2.06	1.03	1.375	3/4-14	3/4-14
860-16	860-16-SS	1.75	1.050	2.06	1.03	1.625	1-11	1-11.5
860-20	860-20-SS	2.25	1.500	2.06	1.03	2.125	1 1/4-11	1 1/4-11.5
860-24	860-24-SS	2.75	1.750	2.20	1.10	2.500	1 1/2-11	1 1/2-11.5
860-32	860-32-SS	3.25	2.125	2.50	1.25	3.000	2-11	2-11.5

- AISI1020 CARBON STEEL
- 316L STAINLESS STEEL
- INCLUDES INDIVIDUAL THREAD IDENTIFICATION MARKING
- ADDITIONAL THREAD SIZES AND CONFIGURATIONS AVAILABLE