

High Pressure Screw Type Coupling

Series

SH-Y44 /-Y45 (metal seal)
SM (polymer seal)



Screw Type Coupling

Applications:

Jumpers, umbilical terminations, manifolds, SDUs, hose extension, surface or diver operated

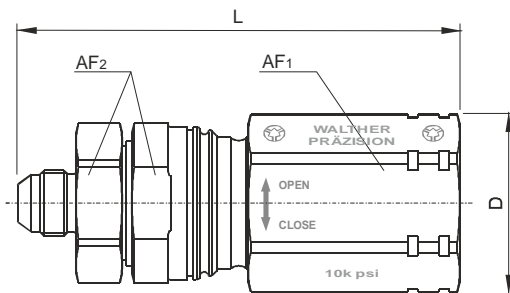
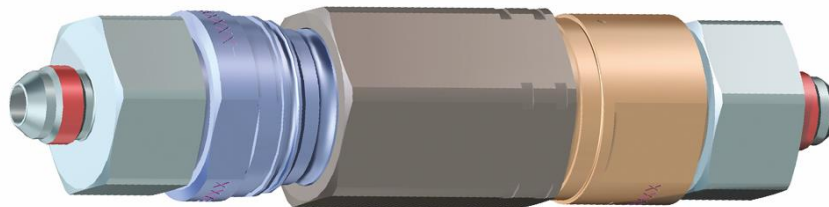
Features:

- Version -Y44 for hose extension; version -Y45 for panel mounting
- Connect, disconnect under pressure
- Suitable for water based hydraulic fluids and chemical injection
- Design life: 25 Years
- Dual sealing, all primary seals metallic
- Metal seals for unlimited number of connections
- Generous "lead-in" of locking sleeve ensures easy and trouble free mating under poor visibility
- Low connection torque due to low friction thread
- Optional non-interchangeable coding available
- Pressure tight protection plugs / caps available

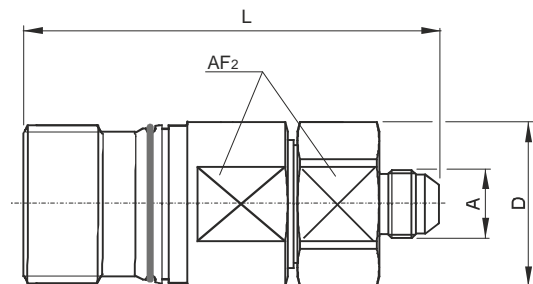
Material:

Stainless Steel 1.4404 (AISI 316 L), bronze, duplex, Nitronic 50, Hiduron

Hose extension -Y44



Adaptor (male half), subsea side

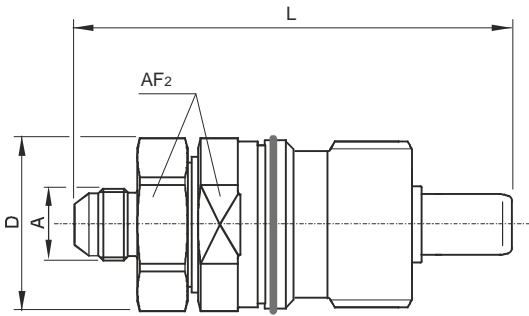
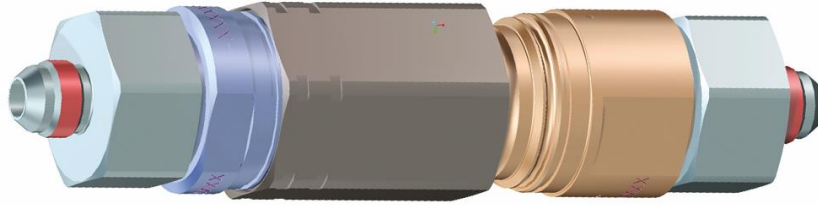


Coupling (female half), retrievable

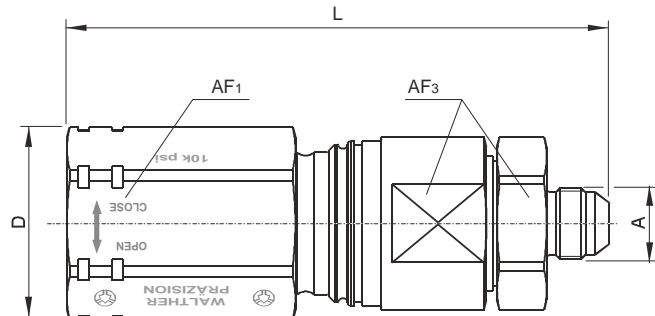
Nom. Bore [mm]	Type		L [mm]	D [mm]	AF1 [mm]	AF2 [mm]	Working pressure rating [psi]	Cv value	Recommended connection torque [Nm]	A End connection e.g.
6	SH-006-0-LH014-AADW-Y44	Coupling	84	33,5	—	30	10.000	0,6	65	JIC # 6
	SH-006-2-LH014-AADW-Y44	Adaptor	100,4	37,7	34	30				
10	SH-010-0-LH019-AADD-Y44	Coupling	116,8	46	—	41	10.000	1,5	130	JIC # 8
	SH-010-2-LH019-AADE-Y44	Adaptor	137,4	51,2	50	41				
16	SH-016-0-LH027-AABC-Y44	Coupling	126,8	55	—	50	10.000	4,6	250	JIC # 12
	SH-016-2-LH027-AABD-Y44	Adaptor	155	66,9	60	50				

Screw Type Coupling

Panel mounting -Y45

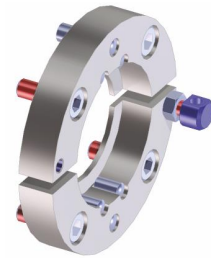
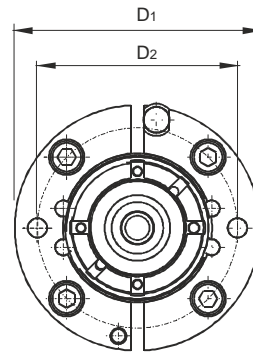
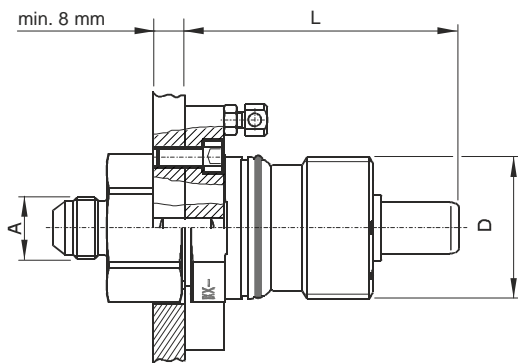


Adaptor (male half), subsea side



Coupling (female half), retrievable

Bracket for bulkhead mounting



Nom. Bore [mm]	Type		L [mm]	D [mm]	D1 [mm]	D2 [mm]	AF1 [mm]	AF2 [mm]	AF3 [mm]	Working pressure rating [psi]	CV value	Recommended connection torque [Nm]	A End connection e.g.
6	SH-006-0-LH014-AAEQ-Y45	Coupling	110,8	84	—	—	30	—	30	10.000	0,6	65	JIC # 6
	SH-006-2-LH014-AAEO-Y45	Adaptor	93,6	100,4	—	—	—	30	—				JIC # 6
	SH-006-B-00001-01-Y45	Bracketed	—	—	67	54	—	—	—				—
10	SH-010-0-LH019-AADY-Y45	Coupling	154,9	116,8	—	—	41	—	41	10.000	1,5	130	JIC # 8
	SH-010-2-LH019-AADK-Y45	Adaptor	125,9	137,4	—	—	—	41	—				JIC # 8
	SH-010-B-00001-01-Y45	Bracketed	—	—	76	62	—	—	—				—
16	SH-016-0-LH027-AABE-Y45	Coupling	175,1	126,8	—	—	41	—	41	10.000	4,6	250	JIC # 12
	SH-016-2-LH027-AABD-Y45	Adaptor	136,5	155	—	—	—	46	—				JIC # 12
	SH-016-B-00001-01-Y45	Bracketed	—	—	85	71	—	—	—				—

Screw Type Coupling

Applications:

For umbilical bundling and testing in factory use SM-003

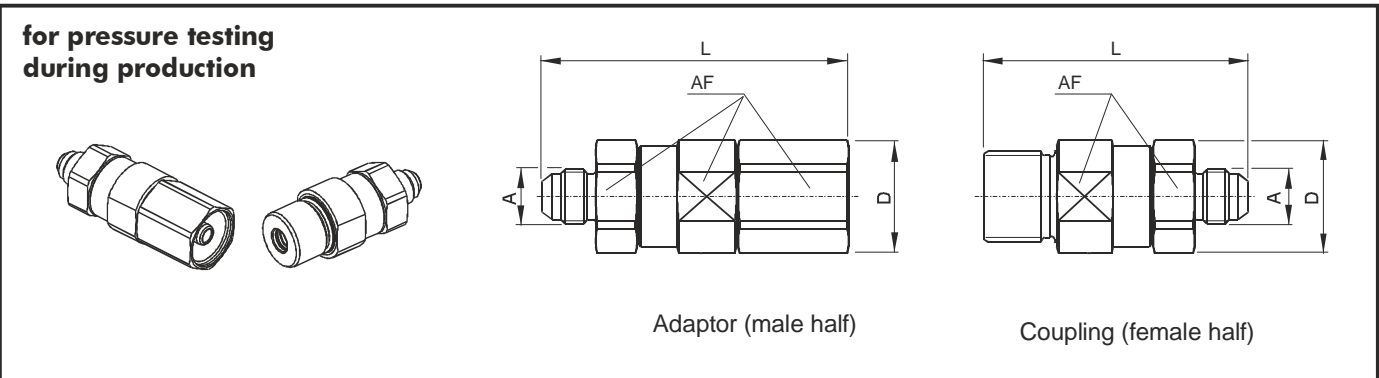
For umbilical testing in production and temporary subsea use SM-004

Features:

- Connect / disconnect under pressure
- Suitable for water based hydraulic fluids and chemical injection
- Elastomeric, polymeric seals
- Generous "lead-in" of locking sleeve ensures positive trouble free make-up under poor visibility
- Low connection force due to low friction thread
- Protection plugs / caps available

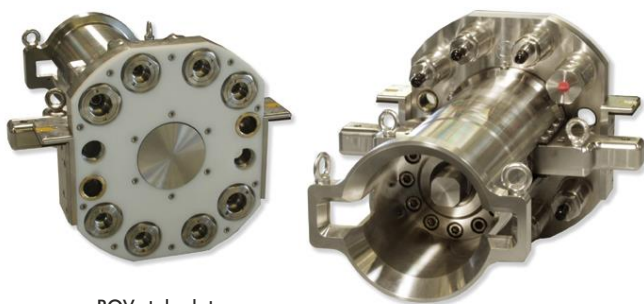
Material:

Stainless Steel 1.4404 (AISI 316 L), bronze, duplex, Nitronic 50

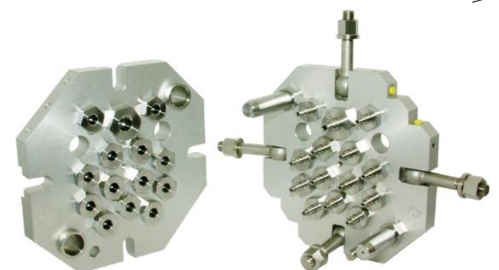


Nom. Bore [mm]	Type		L [mm]	D [mm]	AF [mm]	Working Pressure Rating [psi]	Cv value	Recommended connection torque [Nm]	A End connection e.g.
3	SM-003-0-LH014-AAAA	Coupling	32,4	15,5	13	3.000	0,12	3	JIC#6
	SM-003-2-LH014-AAAB	Adaptor	36,4	14,3	14				
4	SM-004-0-LH014-AAAA	Coupling	69,8	29,9	27	10.000	0,57	30	JIC#4-6
	SM-004-2-LH014-AAAB	Adaptor	80,9						

Stabplates to connect multiple lines by ROV or manually



ROV stab plates
Type 91561
also available with HFL, fully assembled



Workover stabplates
Type 91553

WALTHER-PRÄZISION Carl Kurt Walther GmbH & Co. KG

Hausadresse / Head office:

Westfalenstraße 2
42781 Haan, Germany

Telefon: +49 (0) 21 29 567-0
Telefax: +49 (0) 21 29 567-450

Postadresse / Postal address:

Postfach 420444
42404 Haan, Germany

eMail: info@walther-praezision.de
Internet: www.walther-praezision.de



Choose the Original
Choose Success!