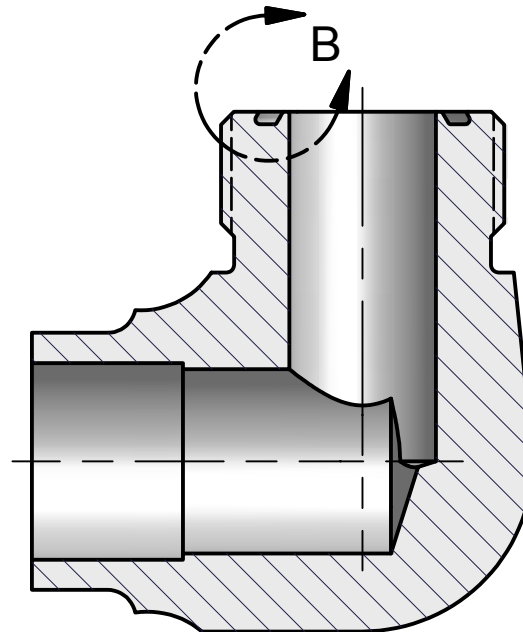
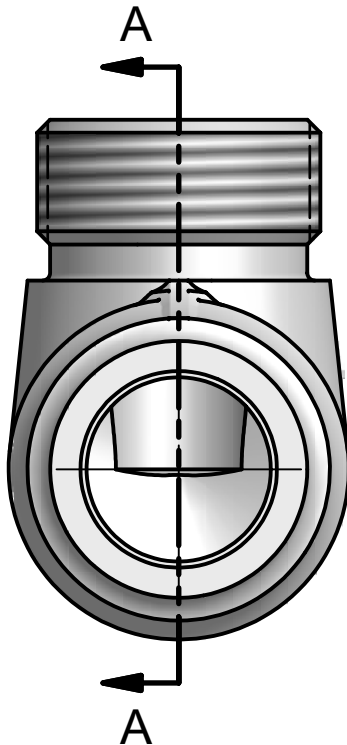
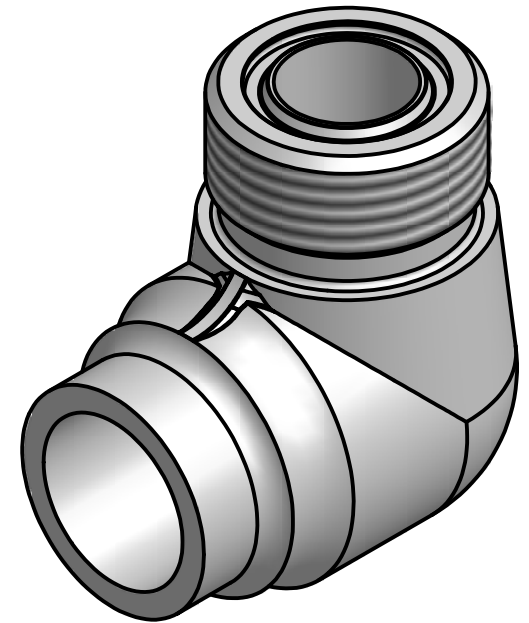


DETAIL B  
SCALE 2.50 : 1



SECTION A-A  
SCALE 1.25 : 1

THIS DRAWING IS THE PROPERTY OF / AND ALL PROPRIETARY RIGHTS ARE RESERVED TO ANCHOR FLUID POWER. THE RECIPIENT AGREES NOT TO DISCLOSE TO ANY PERSON OR ORGANIZATION ANY INFORMATION REGARDING THE DESIGN OR MANUFACTURE OF THE ARTICLE REPRESENTED HEREON OR USE SAME IN ANY WAY DETRIMENTAL TO THE INTEREST OF ANCHOR FLUID POWER.

**NOTES:**  
DIMENSIONS ARE IN INCHES EXCEPT WHERE BRACKETS ARE USED TO DESIGNATE MILLIMETERS [mm] REMOVE BURRS AND BREAK SHARP EDGES .003 - .015. ALL MACHINED SURFACE FINISHES TO BE 100 UNLESS OTHERWISE NOTED.

TOLERANCES  
UNLESS SPECIFIED  
.XX = ± .03  
.XXX = ± .010  
ANGLES ± .5°



DRAWN BY RC

MAT. C1020

SCALE 1.25" = 1"

DATE 01/01/2006

**ANCHOR FLUID POWER**

A DIVISION OF THE ANCHOR FLANGE CO.

BUTT TIG WELD x MALE ORFS ELBOW